



A x 8



B x 8



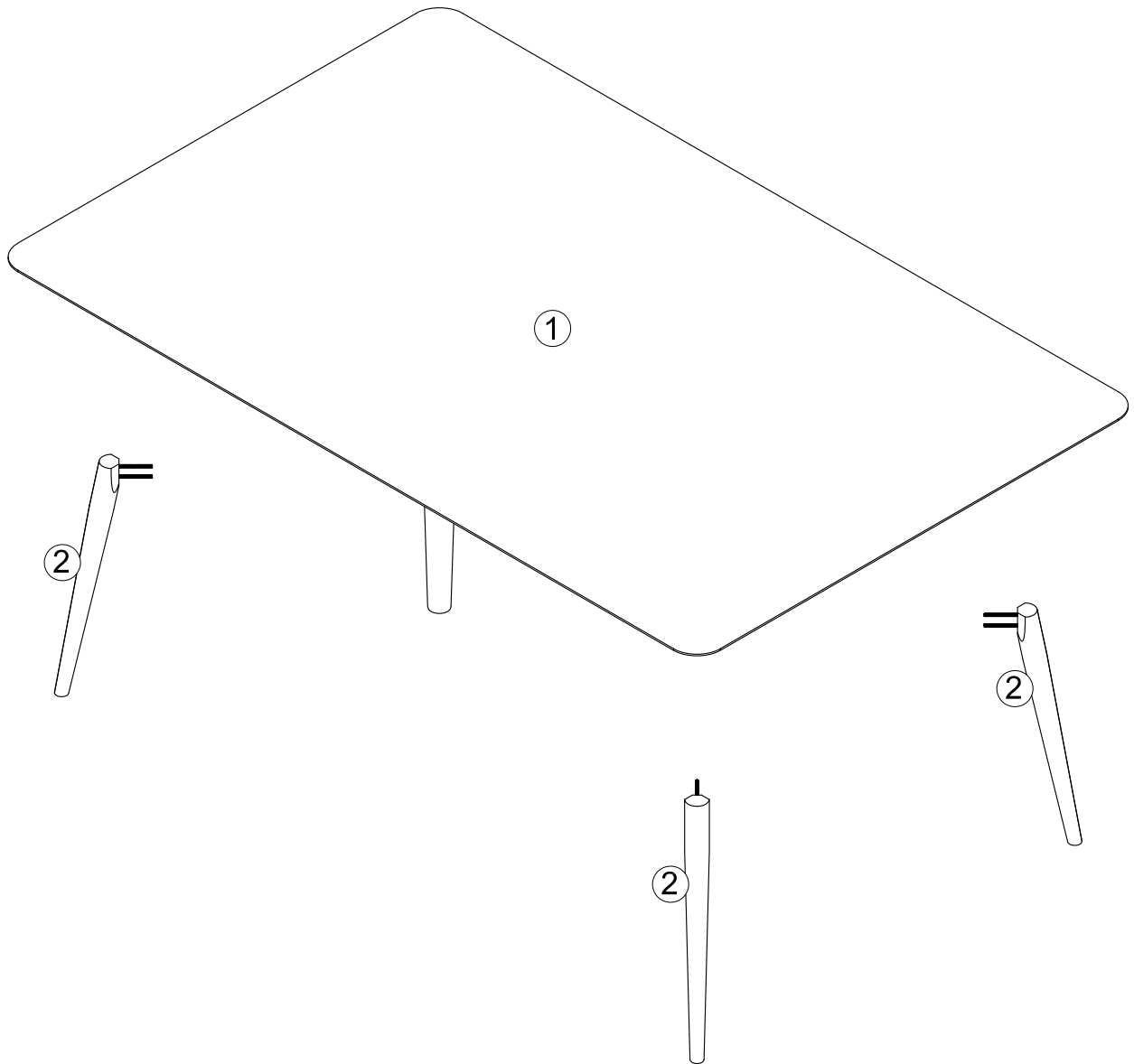
C x 8

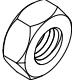






D x 1



E x 4



	A x 8		B x 8		C x 8
	D x 1		E x 4		

1

