






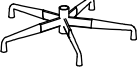





|   |   |  |   |  |
|---|---|--|---|--|
| <br>M6 x 25<br>(A) x 2 | <br>M6 x 16<br>(B) x 2 | <br>(C) x 4 | <br>(D) x 1 |  |
| <br>(E) x 1            | <br>(F) x 1            | <br>(G) x 1 | <br>(H) x 1 | <br>(I) x 5 |

